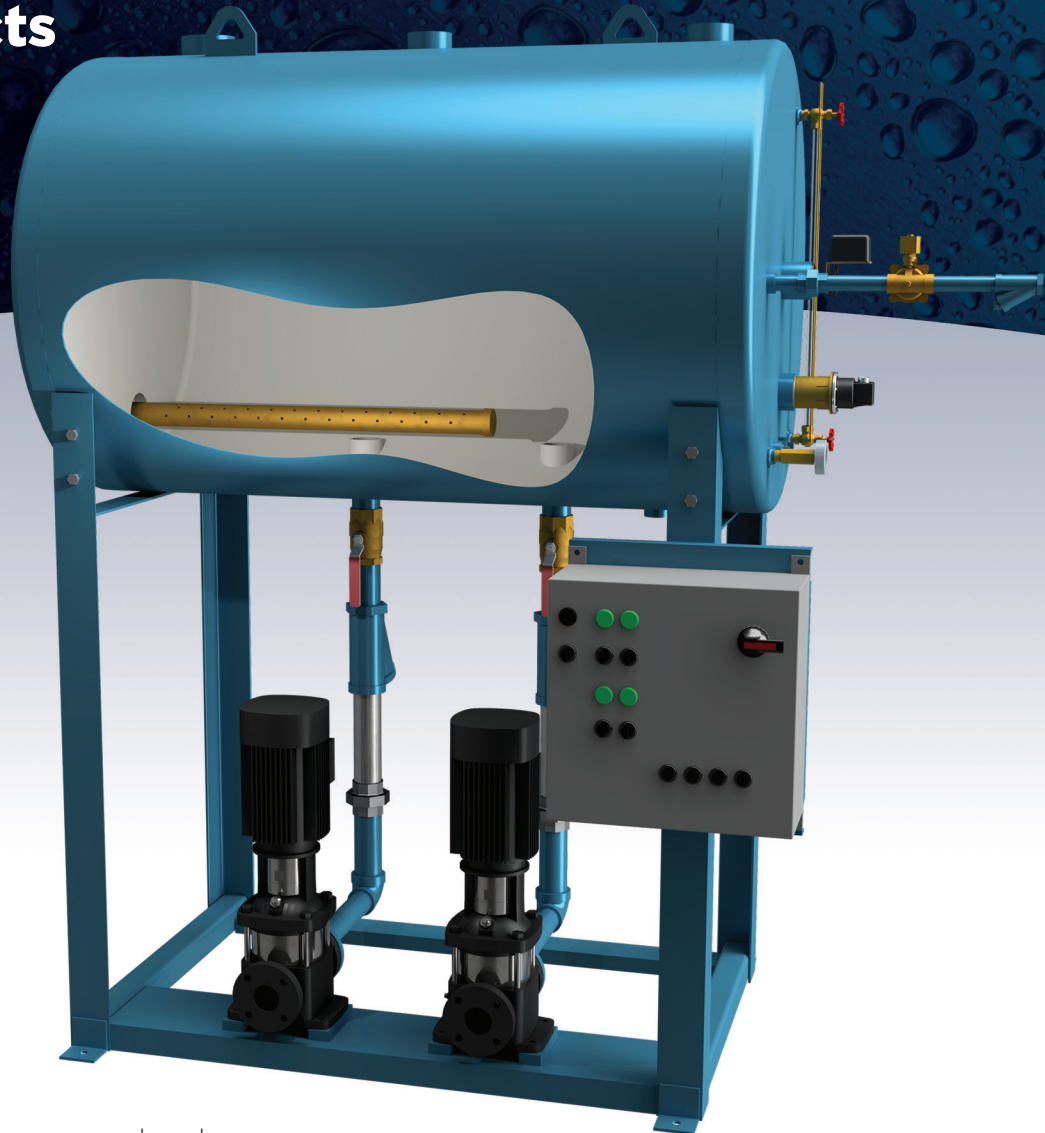


# HORIZONTAL BOILER FEED SYSTEM



**Lockwood  
Products**



Lockwood boiler feed systems are packaged, atmospheric-pressure, storage tanks built for commercial or industrial steam systems. The storage tank blends makeup water, condensate returns, and water treatment chemicals before being pumped to the steam boiler. The tank is elevated over the feed water pump(s) to provide sufficient NPSH for water temperatures up to 200°F. Vertical, multistage, centrifugal feedwater pumps are typically utilized since they perform well for low flow, high pressure, pumping applications.

Systems can be fully customized to meet each customer's specific needs. Systems can be as

simple or complex as desired. The storage tank can be made of carbon steel or upgraded to stainless steel for increased life. Makeup water controls can be mechanical, float/probe type with solenoid valve, or modulating via an electronic control valve. Steam preheat packages are typically utilized to elevate the water temperature before sending makeup water to the boiler. Other typical trim items include: thermometer with separable well, gauge glass, and pump suction piping with shutoff valve and strainer.

## **SIZING TIPS:**

*Typically, 1 gallon of storage per Boiler Horsepower (BHP) is recommended.*

*If condensate returns exceed 50%, then a factor of 1.5 is recommended.*

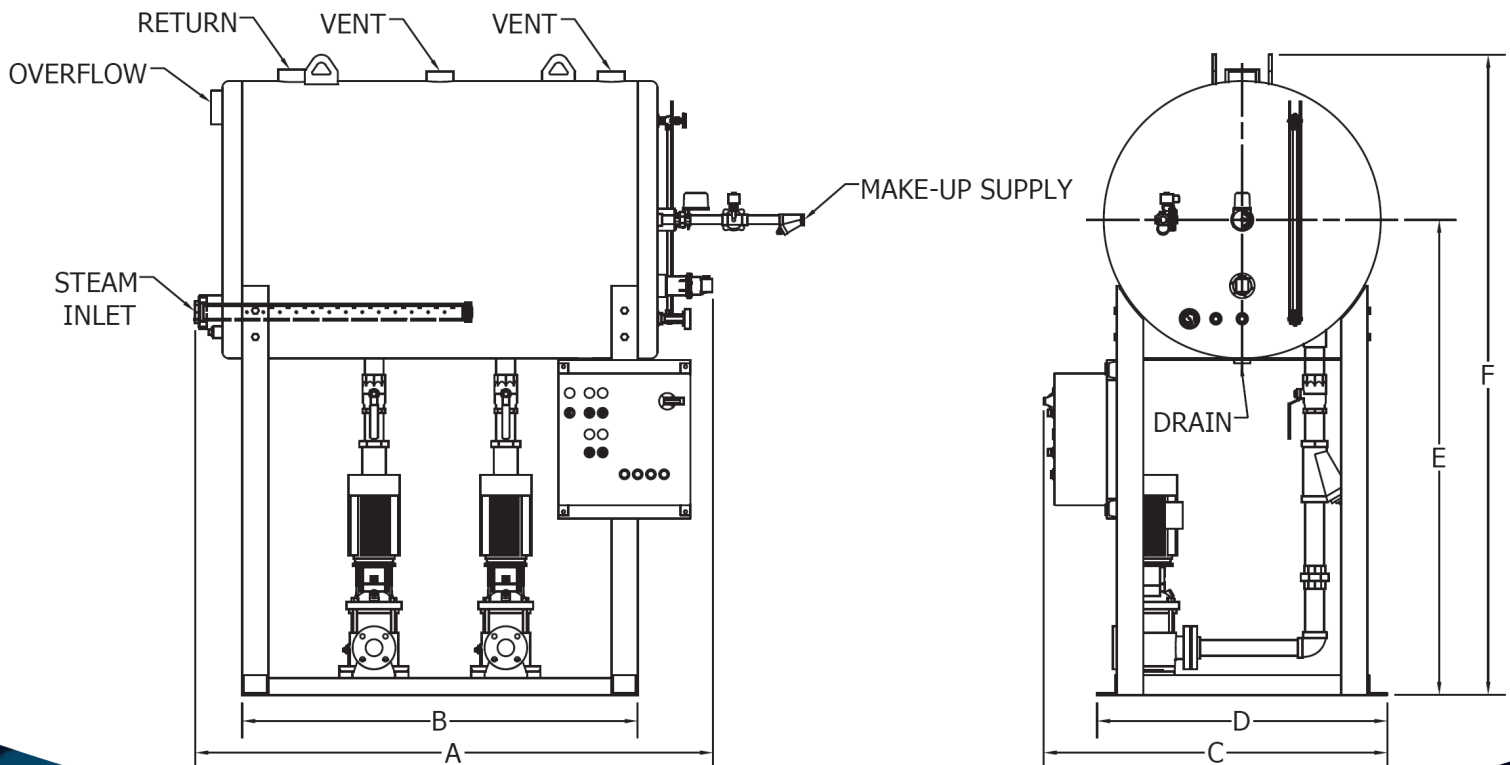
**CUSTOM ENGINEERED SOLUTIONS TO COMPLEX PROBLEMS**

**Larger models available.  
Contact Lockwood Sales  
for more information.**

MODEL	G35	G60	G100	G180	G250	G350	G500	G750
STORAGE (GAL)	35	60	100	180	250	350	500	750
STORAGE TANK DIAMETER (IN)	18	22	26	30	36	42	42	48
STORAGE TANK LENGTH (IN)	32	36	42	60	60	60	84	96
DIMENSION A (IN)	50	55	61	79	79	79	103	115
DIMENSION B (IN)	33	36	42	60	60	60	84	92
DIMENSION C (IN)	32	35	40	42	48	53	53	58
DIMENSION D (IN)	21	25	31	32	38	44	44	49
DIMENSION E (IN)	32	48	60	60	60	60	60	72
DIMENSION F (IN)	46	64	78	80	83	86	86	101
CONDENSATE RETURN (IN)	2	2-1/2	3	4	4	4	4	4
OVERFLOW (IN)	2	2-1/2	3	4	4	4	4	4
VENT LINE (IN)	(2) 1-1/4	(2) 1-1/4	(2) 1-1/2	(2) 2	(2) 2-1/2	(2) 3	(2) 3	(2) 3
CHEMICAL INJECTION (IN)	(1) 1	(1) 1	(2) 1	(2) 1	(2) 1	(2) 1	(2) 1	(2) 1
DRAIN (IN)	1	1-1/4	1-1/4	1-1/2	1-1/2	1-1/2	1-1/2	2
SHIPPING WEIGHT (LBS)	200	275	375	575	700	975	1200	1500
OPERATING WEIGHT (LBS)	375	550	825	1,400	1,875	2,575	3,400	4,750
FLOODED WEIGHT (LBS)	500	750	1,175	1,975	2,800	3,900	5,200	7,550

**NOTES:**

- Typical trim and options shown on Boiler Feed System Option Flyer
- All dimensions and volumes are approximate and subject to change without notice
- Pump connection quantity and size vary by application
- Stand height shown is typical but can be adjusted as needed by application
- Steam connection and makeup water connections vary by application
- Weights apply to tank and stand only and do not include pumps



**Lockwood  
Products**

3010 Spring Industrial Drive, Powder Springs, GA 30127  
Main: (404) 505-2520 • Toll Free: (800) 365-1500  
www.lockwoodproducts.com • sales@lockwoodproducts.com



**QUALITY PRODUCTS & SUPPORT FOR YEARS TO COME**