

# PACKAGED ATMOSPHERIC DEAERATION SYSTEMS

*Also available-*

## LOCKWOOD®

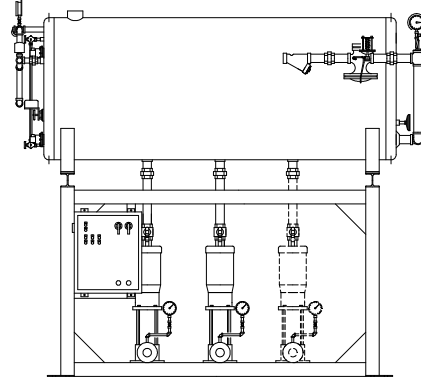
### PACKAGED ATMOSPHERIC DEAERATION SYSTEMS

*For a variety of applications*

#### **Type AS 0.03cc/Liter**

---

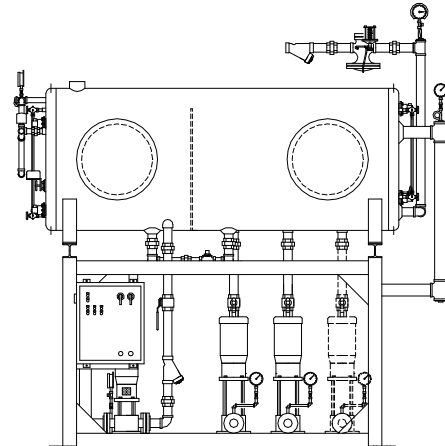
- Vented to Atmosphere, Oxygen Content to 0.03 cc/liter
- Single Compartment storage Receiver
- Corrosion Resistant Lining
- Complete Packaged Systems
- Atmospheric Design Permits Gravity Returns Directly Into Receiver
- Low NPSH Pumps To Minimize Headroom Requirements



#### **Type AD 0.03cc/Liter**

---

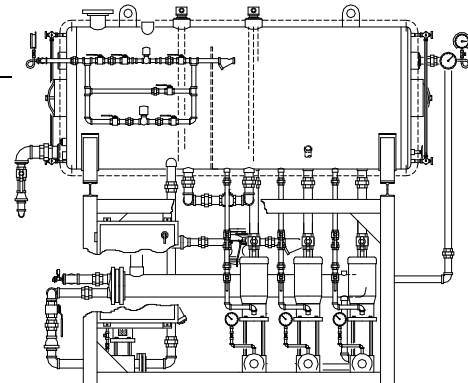
- Vented to Atmosphere, Oxygen Content to 0.03 cc/liter
- Single Compartment storage Receiver
- Corrosion Resistant Lining
- Complete Packaged Systems
- Atmospheric Design Permits Gravity Returns Directly Into Receiver
- Low NPSH Pumps To Minimize Headroom Requirements



#### **Type AD 0.005cc/Liter**

---

- Vented to Atmosphere, Oxygen Content to 0.03 cc/liter
- Single Compartment storage Receiver
- Corrosion Resistant Lining
- Complete Packaged Systems
- Atmospheric Design Permits Gravity Returns Directly Into Receiver
- Low NPSH Pumps To Minimize Headroom Requirements



DEAERATION SYSTEMS